




# QUIRA

# oktalite

[www.oktalite.com/quira-r](http://www.oktalite.com/quira-r)

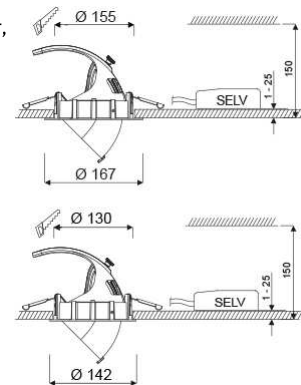
Type of luminaire	recessed luminaire
Application areas	Accent lighting, High-level decoration
Pan/tilt range	Rotates through 355°, swivels through 85° (15° inwards, 70° outwards)
Mounting	Oktalite folding spring
Ceiling thickness	1 - 25 mm
Lighting technology	LED
LED Luminous Flux Class	1500 lm - 4000 lm
Light colour White	2700 K, 3000 K, 3000 K - Efficient White, 3000 K - Brilliant Colour, 3500 K, 4000 K, 4000 K - Efficient Cool
Light colour Food*	M, M+F, BF
Cooling	passive
Supply unit	Driver separate
Luminaire colour	RAL 9005 jet black RAL 9006 white aluminium RAL 9016 traffic white Special colours on request
Surface	structure powder-coated
Nominal voltage	220 - 240 V, 50/60Hz
Lighting controls	on request
Weight	Approx. 0.7 kg
Components	

-  Luminaire housing
-  Optic
-  Supply unit

Test seal



\* M = Meat,  
M = Meat, F = Fish,  
BF = Brilliant Food



Technical details as well as weight specifications and measurements have been prepared with care. Errors excepted. All dimensions in mm · LED service life data: L80/B10 at ambient temperature (ta) 25°C. Rated lamp service life 50,000h. Luminous flux and efficiency specifications are subject to a tolerance of +/- 10%. Min CRI Ra: >80 / >90 · Product images are used as an example and may differ from the original · We reserve the right to make changes, insofar as they serve progress. The Single Lighting Regulation (SLR) documentation can be found in our download area. Oktalite Lichttechnik GmbH · Mathias-Brüggen-Str. 73 · 50829 Cologne · T 49 221 59767-0 · F 49 221 59767-40 · mail@oktalite.com · www.oktalite.com · 2023-04-03



## QUIRA

oktalite

LED Luminous Flux Class	Light colour	CRI R <sub>a</sub>	system luminous flux*	System performance	Ceiling cut-out	Order number		
						white	silver	black
2000 lm	3000 K - Efficient White	94	1875 lm	17 W	130 mm	10232518	10232519	10232520
	3000 K - Efficient White	94	1875 lm	17 W	155 mm	10241785	10241786	10241787
	3000 K - Brilliant Colour	97	1755 lm	21 W	130 mm	10232527	10232528	10232529
	3000 K - Brilliant Colour	97	1755 lm	21 W	155 mm	10241794	10241795	10241796
	4000 K - Efficient Cool	91	2005 lm	17 W	130 mm	10249725	10249726	10249727
	4000 K - Efficient Cool	91	2005 lm	17 W	155 mm	10252813	10252814	10252815
3000 lm	2700 K	81	2640 lm	23 W	130 mm	10232512	10232513	10232514
	2700 K	81	2640 lm	23 W	155 mm	10241779	10241780	10241781
	3000 K	83	2765 lm	23 W	130 mm	10232515	10232516	10232517
	3000 K	83	2765 lm	23 W	155 mm	10241782	10241783	10241784
	3000 K - Efficient White	94	2690 lm	27 W	130 mm	10232518	10232519	10232520
	3000 K - Efficient White	94	2690 lm	27 W	155 mm	10241785	10241786	10241787
	3000 K - Brilliant Colour	97	2575 lm	35 W	130 mm	10232527	10232528	10232529
	3000 K - Brilliant Colour	97	2575 lm	35 W	155 mm	10241794	10241795	10241796
	3500 K	84	2805 lm	23 W	130 mm	10232521	10232522	10232523
	3500 K	84	2805 lm	23 W	155 mm	10241788	10241789	10241790
	4000 K	83	2855 lm	23 W	130 mm	10232524	10232525	10232526
	4000 K	83	2855 lm	23 W	155 mm	10241791	10241792	10241793
	4000 K - Efficient Cool	91	2875 lm	27 W	130 mm	10249725	10249726	10249727
	4000 K - Efficient Cool	91	2875 lm	27 W	155 mm	10252813	10252814	10252815
4000 lm	2700 K	81	3305 lm	31 W	130 mm	10232512	10232513	10232514
	2700 K	81	3305 lm	31 W	155 mm	10241779	10241780	10241781
	3000 K	83	3440 lm	31 W	130 mm	10232515	10232516	10232517

Technical details as well as weight specifications and measurements have been prepared with care. Errors excepted. All dimensions in mm · LED service life data: L80/B10 at ambient temperature (ta) 25°C. Rated lamp service life 50,000h. Luminous flux and efficiency specifications are subject to a tolerance of +/- 10%. Min CRI Ra: >80 / >90 · Product images are used as an example and may differ from the original · We reserve the right to make changes, insofar as they serve progress. The Single Lighting Regulation (SLR) documentation can be found in our download area. Oktalite Lichttechnik GmbH · Mathias-Brüggen-Str. 73 · 50829 Cologne · T 49 221 59767-0 · F 49 221 59767-40 · mail@oktalite.com · www.oktalite.com · 2023-04-03

	3000 K	83	3440 lm	31 W	155 mm	10241782	10241783	10241784
	3000 K - Efficient White	94	3385 lm	37 W	130 mm	10232518	10232519	10232520
	3000 K - Efficient White	94	3385 lm	37 W	155 mm	10241785	10241786	10241787
	3500 K	84	3510 lm	31 W	130 mm	10232521	10232522	10232523
	3500 K	84	3510 lm	31 W	155 mm	10241788	10241789	10241790
	4000 K	83	3580 lm	31 W	130 mm	10232524	10232525	10232526
	4000 K	83	3580 lm	31 W	155 mm	10241791	10241792	10241793
	4000 K - Efficient Cool	91	3615 lm	37 W	130 mm	10249725	10249726	10249727
	4000 K - Efficient Cool	91	3615 lm	37 W	155 mm	10252813	10252814	10252815
1500 lm	M	-	1335 lm	23 W	130 mm	10232506	10232507	10232508
	M	-	1335 lm	23 W	155 mm	10241773	10241774	10241775
	M+F	-	1260 lm	23 W	130 mm	10232509	10232510	10232511
	M+F	-	1260 lm	23 W	155 mm	10241776	10241777	10241778
2000 lm	M	-	1670 lm	31 W	130 mm	10232506	10232507	10232508
	M	-	1670 lm	31 W	155 mm	10241773	10241774	10241775
	M+F	-	1575 lm	31 W	130 mm	10232509	10232510	10232511
	M+F	-	1575 lm	31 W	155 mm	10241776	10241777	10241778
	BF	98	1675 lm	19 W	130 mm	10232530	10232531	10232532
	BF	98	1675 lm	19 W	155 mm	10241797	10241798	10241799
3000 lm	BF	98	2440 lm	31 W	130 mm	10232530	10232531	10232532
	BF	98	2440 lm	31 W	155 mm	10241797	10241798	10241799

\* System luminous flux based on medium flood reflector.



Efficient White:  $R_s = 75$ ,  $R_t = 91$ ,  $R_g = 102$



Brilliant Colour:  $R_s = 94$ ,  $R_t = 95$ ,  $R_g = 104$

Technical details as well as weight specifications and measurements have been prepared with care. Errors excepted. All dimensions in mm · LED service life data: L80/B10 at ambient temperature ( $t_a$ ) 25°C. Rated lamp service life 50,000h. Luminous flux and efficiency specifications are subject to a tolerance of  $\pm 10\%$ . Min CRI Ra:  $>80 / >90$  · Product images are used as an example and may differ from the original · We reserve the right to make changes, insofar as they serve progress. The Single Lighting Regulation (SLR) documentation can be found in our download area. Oktalite Lichttechnik GmbH · Mathias-Brüggen-Str. 73 · 50829 Cologne · T 49 221 59767-0 · F 49 221 59767-40 · mail@oktalite.com · www.oktalite.com · 2023-04-03

# Optic QUIRA - LED

Optic 3D faceted reflectors  
 Type interchangeable reflector system

Beam angle				Cover	LOR	Order number																		
Spot						white	silver	black																
<b>Optik 85 - SP</b>				without	82 %	-	-	10183944																
<table border="1"> <thead> <tr> <th>Höhe [m]</th> <th>KegelØ [cm]</th> <th>E(0°) [lx/klm]</th> <th>E(C0) [lx/klm]</th> </tr> </thead> <tbody> <tr> <td>1</td> <td>26</td> <td>5755</td> <td>2841</td> </tr> <tr> <td>2</td> <td>52</td> <td>1439</td> <td>710</td> </tr> <tr> <td>3</td> <td>78</td> <td>639</td> <td>316</td> </tr> </tbody> </table>				Höhe [m]	KegelØ [cm]	E(0°) [lx/klm]	E(C0) [lx/klm]	1	26	5755	2841	2	52	1439	710	3	78	639	316	clear	78 %	-	-	10184576
Höhe [m]	KegelØ [cm]	E(0°) [lx/klm]	E(C0) [lx/klm]																					
1	26	5755	2841																					
2	52	1439	710																					
3	78	639	316																					

Beam angle				Cover	LOR	Order number																		
Medium Flood						white	silver	black																
<b>Optik 85 - MF</b>				without	83 %	-	-	10183959																
<table border="1"> <thead> <tr> <th>Höhe [m]</th> <th>KegelØ [cm]</th> <th>E(0°) [lx/klm]</th> <th>E(C0) [lx/klm]</th> </tr> </thead> <tbody> <tr> <td>1</td> <td>45</td> <td>2845</td> <td>1321</td> </tr> <tr> <td>2</td> <td>91</td> <td>711</td> <td>330</td> </tr> <tr> <td>3</td> <td>136</td> <td>316</td> <td>147</td> </tr> </tbody> </table>				Höhe [m]	KegelØ [cm]	E(0°) [lx/klm]	E(C0) [lx/klm]	1	45	2845	1321	2	91	711	330	3	136	316	147	clear	79 %	-	-	10184577
Höhe [m]	KegelØ [cm]	E(0°) [lx/klm]	E(C0) [lx/klm]																					
1	45	2845	1321																					
2	91	711	330																					
3	136	316	147																					

Beam angle				Cover	LOR	Order number																		
Flood						white	silver	black																
<b>Optik 85 - FL</b>				without	82 %	-	-	10183953																
<table border="1"> <thead> <tr> <th>Höhe [m]</th> <th>KegelØ [cm]</th> <th>E(0°) [lx/klm]</th> <th>E(C0) [lx/klm]</th> </tr> </thead> <tbody> <tr> <td>1</td> <td>66</td> <td>1941</td> <td>832</td> </tr> <tr> <td>2</td> <td>132</td> <td>485</td> <td>208</td> </tr> <tr> <td>3</td> <td>197</td> <td>216</td> <td>92</td> </tr> </tbody> </table>				Höhe [m]	KegelØ [cm]	E(0°) [lx/klm]	E(C0) [lx/klm]	1	66	1941	832	2	132	485	208	3	197	216	92	clear	78 %	-	-	10184578
Höhe [m]	KegelØ [cm]	E(0°) [lx/klm]	E(C0) [lx/klm]																					
1	66	1941	832																					
2	132	485	208																					
3	197	216	92																					

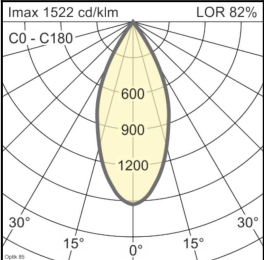
Technical details as well as weight specifications and measurements have been prepared with care. Errors excepted. All dimensions in mm · LED service life data: L80/B10 at ambient temperature (ta) 25°C. Rated lamp service life 50,000h. Luminous flux and efficiency specifications are subject to a tolerance of +/- 10%. Min CRI Ra: >80 / >90 · Product images are used as an example and may differ from the original · We reserve the right to make changes, insofar as they serve progress. The Single Lighting Regulation (SLR) documentation can be found in our download area. Oktalite Lichttechnik GmbH · Mathias-Brüggen-Str. 73 · 50829 Cologne · T 49 221 59767-0 · F 49 221 59767-40 · mail@oktalite.com · www.oktalite.com · 2023-04-03

# Optic QUIRA - LED

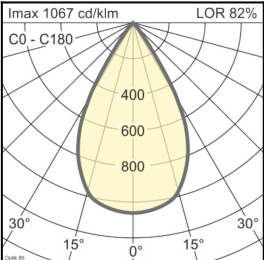
# oktalite

Optic 3D faceted reflectors  
 Type interchangeable reflector system

Beam angle				Cover	LOR	Order number		
Wide Flood						white	silver	black
<b>Optik 85 - WFL</b>								
Höhe [m]	KegelØ [cm]	E(0°) [lx/klm]	E(C0) [lx/klm]					
1	83	1522	601	without	82 %	-	-	10183954
2	167	381	150	clear	78 %	-	-	10184579
3	250	169	67					



Beam angle				Cover	LOR	Order number		
Very Wide Flood						white	silver	black
<b>Optik 85 - VFL</b>								
Höhe [m]	KegelØ [cm]	E(0°) [lx/klm]	E(C0) [lx/klm]					
1	111	1067	360	without	82 %	-	-	10183955
2	223	267	90	clear	78 %	-	-	10184580
3	334	119	40					



Technical details as well as weight specifications and measurements have been prepared with care. Errors excepted. All dimensions in mm · LED service life data: L80/B10 at ambient temperature (ta) 25°C. Rated lamp service life 50,000h. Luminous flux and efficiency specifications are subject to a tolerance of +/- 10%. Min CRI Ra: >80 / >90· Product images are used as an example and may differ from the original · We reserve the right to make changes, insofar as they serve progress. The Single Lighting Regulation (SLR) documentation can be found in our download area. Oktalite Lichttechnik GmbH · Mathias-Brüggen-Str. 73 · 50829 Cologne · T 49 221 59767-0 · F 49 221 59767-40 · mail@oktalite.com · www.oktalite.com · 2023-04-03



Supply unit - LED

## Driver

# oktalite

Version	Independent control gear
Connection type	Pre-wired plug-in connectivity
Mains connection	GST 18i3
Cable length secondary	400 mm
Nominal voltage	220 - 240 V, 50/60Hz
protection	IP20
protection class	I, II
Lighting controls	on request
Lighting technology	LED

Lighting technology	Luminaire connection	Output	System performance	max. luminaires B16	Order number
LED	RNV	450 mA	17 W	49	10211947
LED	RNV	500 mA	19 W	49	10211948
LED	RNV	550 mA	21 W	27	10264893
LED	RNV	600 mA	23 W	25	10211950
LED	RNV	700 mA	27 W	25	10211952
LED	RNV	800 mA	31 W	28	10259144
LED	RNV	900 mA	35 W	28	10259145
LED	RNV	950 mA	37 W	25	10211957

Technical details as well as weight specifications and measurements have been prepared with care. Errors excepted. All dimensions in mm · LED service life data: L80/B10 at ambient temperature (ta) 25°C. Rated lamp service life 50,000h. Luminous flux and efficiency specifications are subject to a tolerance of +/- 10%. Min CRI Ra: >80 / >90 · Product images are used as an example and may differ from the original · We reserve the right to make changes, insofar as they serve progress. The Single Lighting Regulation (SLR) documentation can be found in our download area. Oktalite Lichttechnik GmbH · Mathias-Brüggen-Str. 73 · 50829 Cologne · T 49 221 59767-0 · F 49 221 59767-40 · mail@oktalite.com · www.oktalite.com · 2023-04-03